

CARD/WRISTBAND COLLECTOR PILLAR

EP - CP100



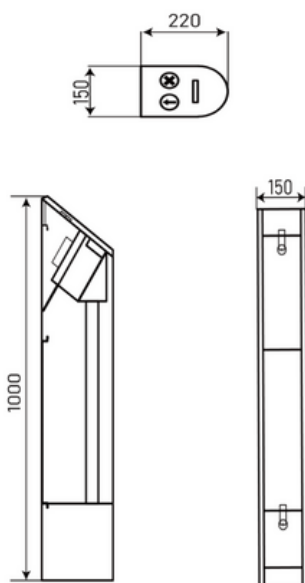
FEATURES

- The card wristband collector device is an access control machine to swallow card as a stand-alone unit.
- It's with LED indicator (red × no entry; green - entry).
- It is suitable for indoor applications. Easy installation and maintain.
- The body is made of brushed stainless steel which is robust, rigid, anti-rust and durable.
- The system always integrates with turnstiles or other gates to use together. When the machine collects the card, the connective gates will open automatically.

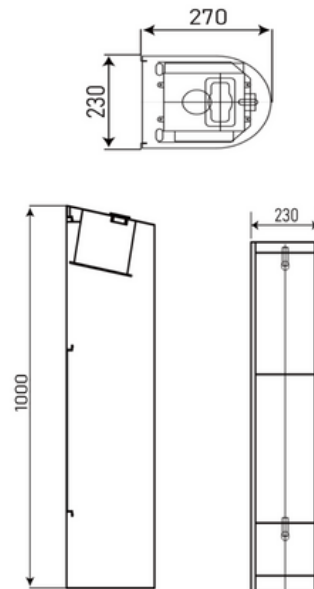


SPECIFICATIONS

MODEL NO:	EP-CP100
Framework Material:	304 Full Stainless Steel
Dimension:	220 * 150 * 1000mm, EP-100C 270 * 230 * 1000mm, EP-100W
Net Weight:	20kg, EP-100C 25kg, EP-100W
Power Supply:	AC220V/110V, 50/60Hz
Power Consumption:	20W
Operation Temperature:	-15 °C - 60 °C
Operation Humidity:	0 ~ 95% (No freeze)
Working Environment:	Indoor
LED Indicator:	Yes



EP-CP100C



EP-CP100W