

EMERGENCY DOOR RELEASE

EP-EB-B/G/W



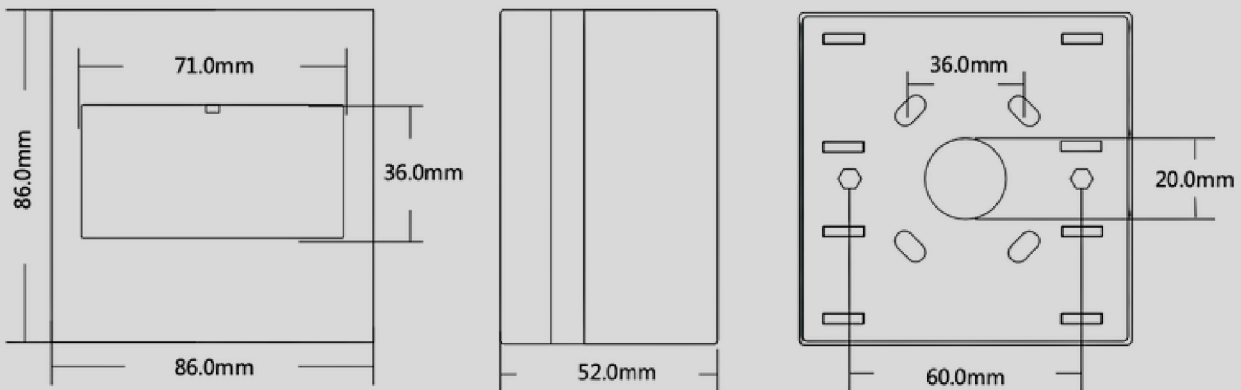
An emergency breakglass is a type of device that is used to manually unlock a door or gate in the event of an emergency. It typically consists of a glass panel that is mounted on the door or gate, and a handle or lever that is used to break the glass and activate the lock mechanism.

Emergency breakglasses are commonly used in public buildings, such as schools, hospitals, and government buildings, as a way to provide a means of escape in the event of a fire or other emergency. They are often located near exits or in areas where people are likely to gather, such as lobbies or hallways.

EP-NTB300MS/MB

SPECIFICATION & DIMENSION

MODEL:	EP-EB-B/G/W
DIMENSIONS :	86(L) X 86(W) X 52(D) MM
CONTACT RATING :	6A/125-250VAC
OUTPUT :	NO/NC/COM, DPDT/2NO/2NC/2COM
MECHANICAL LIFE :	100,000 TESTED
WEIGHT :	1.65gm
BUTTON COLOUR :	BLUE/GREEN/WHITE
OPERATING TEMPERATURE :	-20°C~+55°C (14~131F)
SUITABLE HUMIDITY :	0~95% (RELATIVE HUMIDITY)
INSTALLATION MODE	SURFACE MOUNT



OPTION: PLASTIC COVER

